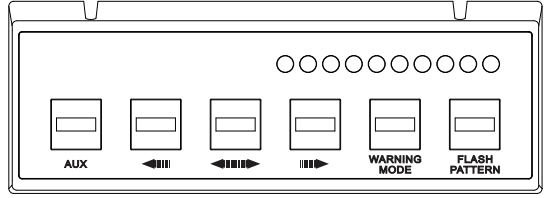


Multi-purpose 6-switches Control Panel



Wiring

RED	to +VDC
BLACK	to -GND
WHITE	to LED Indicator Signal (Traffic Arrow or Lightbar)
GREEN	AUX (Output signal for optional relay) [ON/OFF Switch]
ORANGE	Left Arrow [ON/OFF Switch]
BLUE	Right Arrow [ON/OFF Switch]
BROWN	Warning Mode [ON/OFF Switch]
YELLOW	Flash Pattern [Momentary Switch]

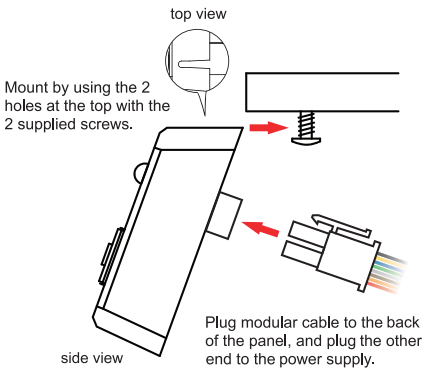
Switch Specification

Input Voltage: 10~30 VDC
 Input Current: 0.2A / port
 1.0A / 6 port
 Output Voltage: 10~24 VDC
 Output Current: 0.2A / port
 Fuse Rating: 2A

Recommended Relay Specification (User-supplied)

Input Voltage: 10~24 VDC
 Input Current: < 200mA

Screw Mount Installation



NOTE: Connect only the RED and BLACK wires to the power supply wiring harness.

Console Mount Installation

